

SECURE TRANSPORTATION

UK & European White Glove Transportation, Relocation & Installations

Mercedes Atego 12t 2.5t Cantilever Tail Lift Specification Sheet



Vehicle Dimensions

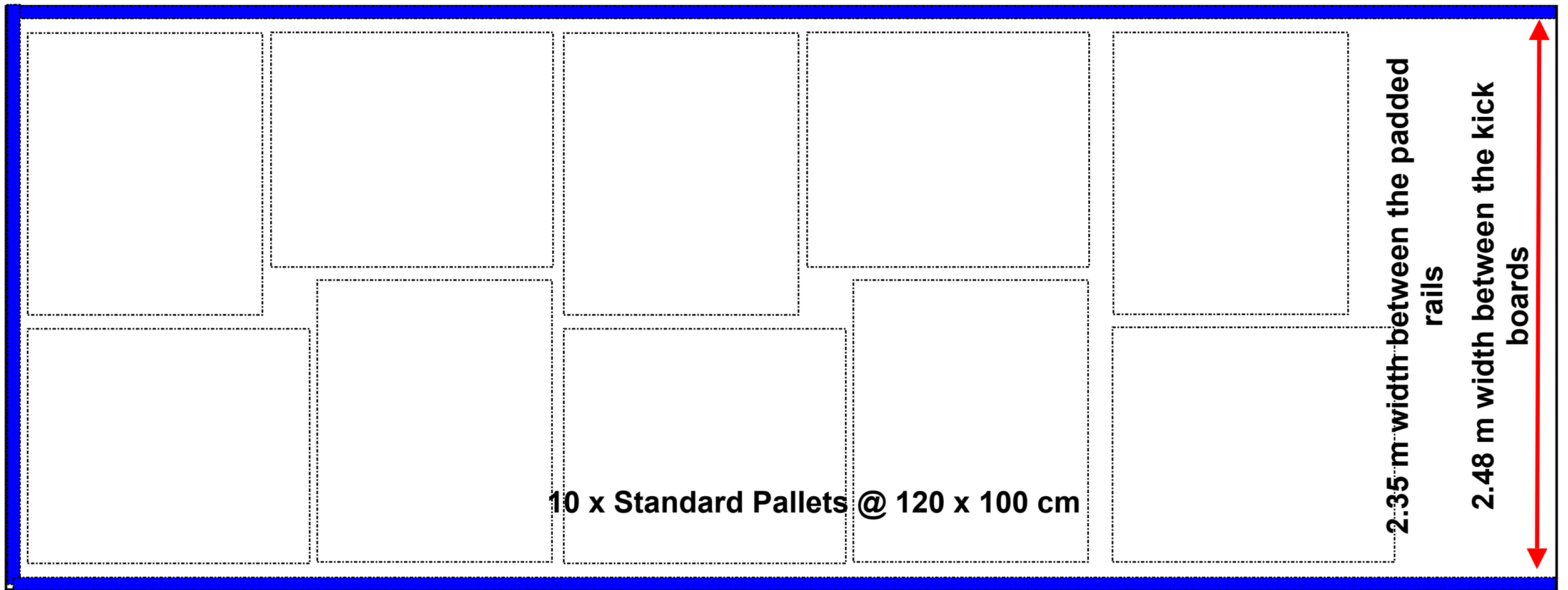
Length	9.31 m / 30.54 ft
Width	2.54 m / 8.33 ft
Width inc. Mirrors	2.94 m / 9.64 ft
Actual Height	3.92 m / 12.86 ft
Safe Height	4.00 m / 13.12 ft

Loading Dimensions

	mm	cm	m	In	ft
Load length	6570	657	6.57	258.66	21.55
Through the rear enclosure	2600	260	2.6	102.36	8.53
Max int. height	2860	286	2.86	112.6	9.38
Int. width between enclosure	2330	233	2.33	91.73	7.64
Int. width between pads	2350	235	2.35	92.52	7.71
Int. width between kick board	2480	248	2.48	97.64	8.14
Cube			44.15 m ³		1559.14 ft ³
Tail lift (w) x (d)	2500 x 2700	250 x 270	2.50 x 2.70	98.43 x 106.29	8.20 x 8.85
Tail lift height			TBA		

Payload of 4000 kg

OO12 TON - Mercedes Atego 12t - Floor Plan Dimensions



6.57 m load length

